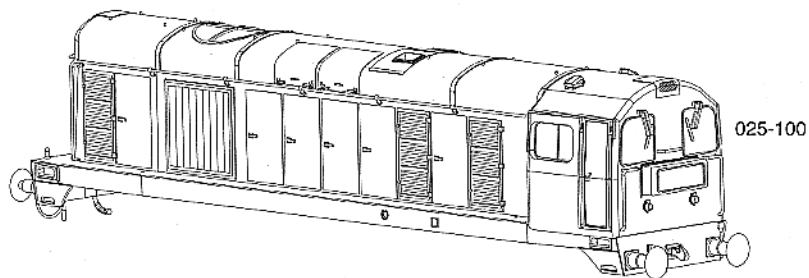




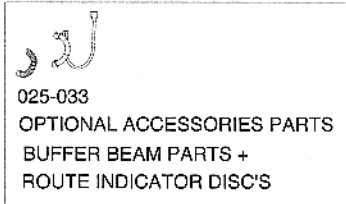
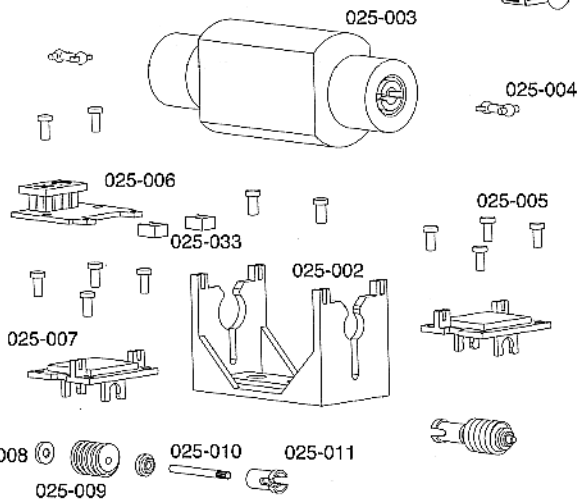
# CLASS 20 DIESEL LOCOMOTIVE



**Please Note**

This type of Drive requires be running-in!

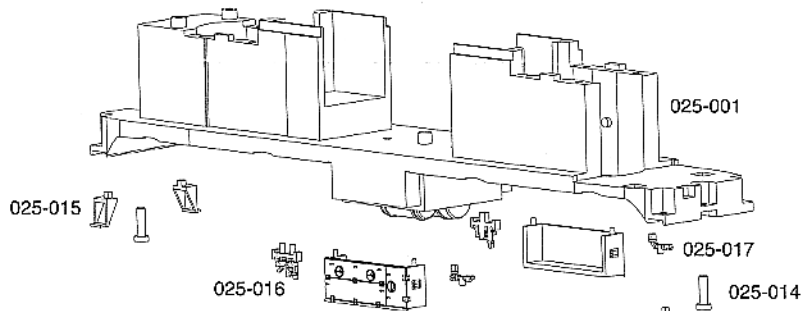
Run for approximately one hour to allow working parts to bed in. Lightly oil the motor, bearings and gears when required.



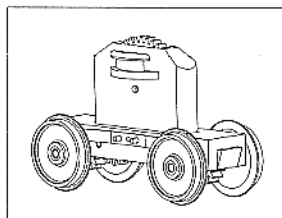
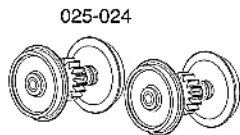
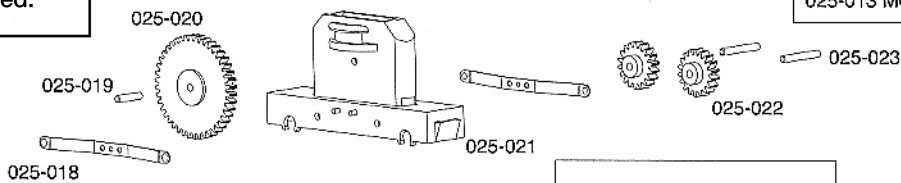
**Please Note**

This type of Drive requires be running-in!

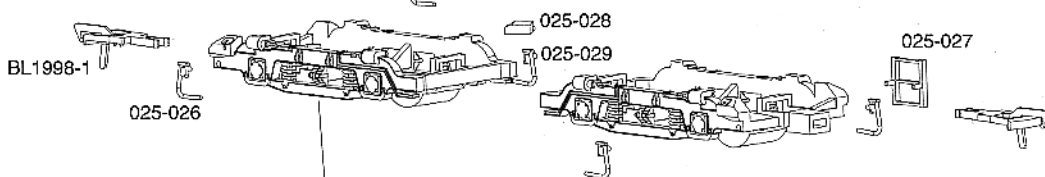
Run for approximately one hour to allow working parts to bed in. Lightly oil the motor, bearings and gears when required.



025-012 EARLY BATTERY BOX (TYPE A)  
025-013 MODIFIED BATTERY BOX (TYPE B)



COMPLETE UNIT  
025-025



025-030 RIBBED & STRESS HOLES BOGIE FRAMES (BOGIE A)  
025-031 RIBBED BOGIE FRAMES (BOGIE B)  
025-032 SMOOTH BOGIE FRAMES (BOGIE C)